



# Aircraft Wire Cable Stop Clamp Adjuster Gripper Looper

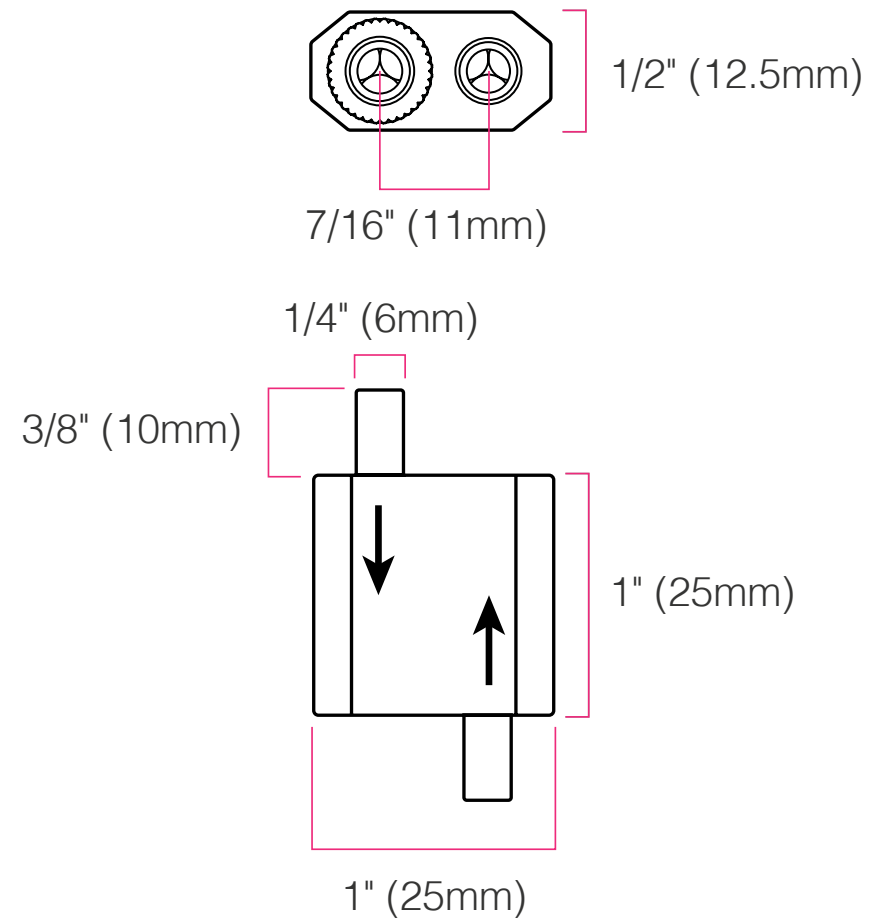
## Specifications and Instruction Guide

mbs-standoffs.com

SKU	DG007
-----	-------

<b>For Wire Cable</b>	3/64"~3/32" Diameter (1.2mm to 2.5mm)	<b>Maximum Load</b>	300 lbs 136 kg
<b>Finish</b>	▶ Zinc	<b>Material</b>	Zinc Alloy

### Specs




# Aircraft Wire Cable Stop Clamp Adjuster Gripper Looper

## Specifications and Instruction Guide


mbs-standoffs.com

### Instruction



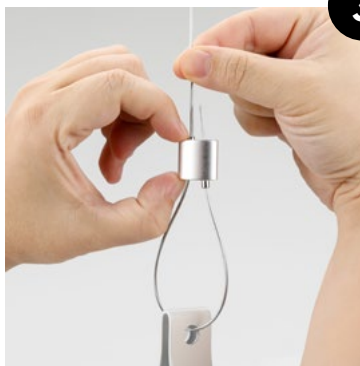
**1**

**Feed** the free end of you cable through either clutch button into the self-locking brake which grips the cable automatically.




**2**

**Guide** the cable through the display connection point and into other clutch button, completing the installation with secure and stable loop.



**3**

**Press** and hold either clutch button to release the braking system, allowing for quick and easy adjustments.



**4**

**NO MORE** cutting and starting over.

### Functions

